

EAVE  
HANDRAIL

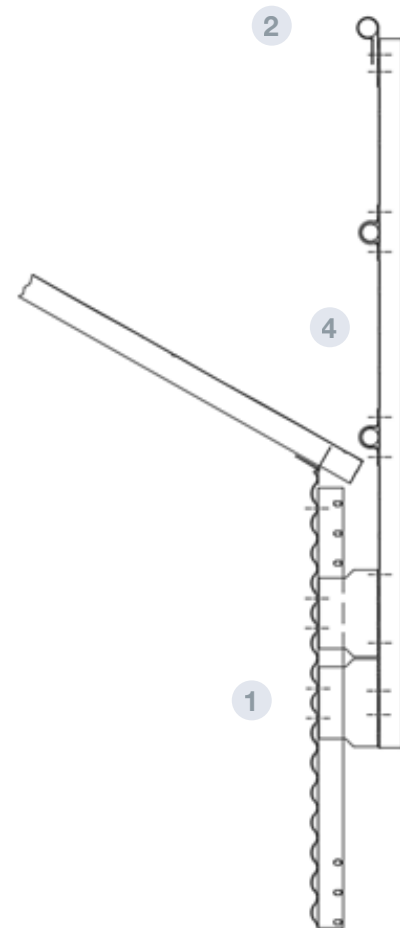
ROOF



## TECHNICAL SPECIFICATIONS

Tubular handrail around the eave.

To improve the safety.



## PARTS AND MATERIALS

- 1** CLIP FOR HANDRAIL BRACKET
  - “U” profile of cold rolled steel to join the handrail bracket to the stiffeners
  - MATERIAL: Galvanised steel S280 GD Z600 MAC e= 3mm
- 2** HANDRAIL BRACKET
  - “U” profile of cold rolled steel to support the handrail tubes
  - MATERIAL: Galvanised steel S280 GD Z600 MAC e= 3mm
- 3** CLIPS
  - Steel folded sheet to join the handrail tube and the handrail bracket
  - MATERIAL: Galvanised steel S280 GD Z600 MAC e= 3mm
- 4** HANDRAIL
  - Pipe of variable length according to the silo’s diameter
  - MATERIAL: Galvanised pipe  $\text{Ø}48 \times 1,5 \text{mm}$

