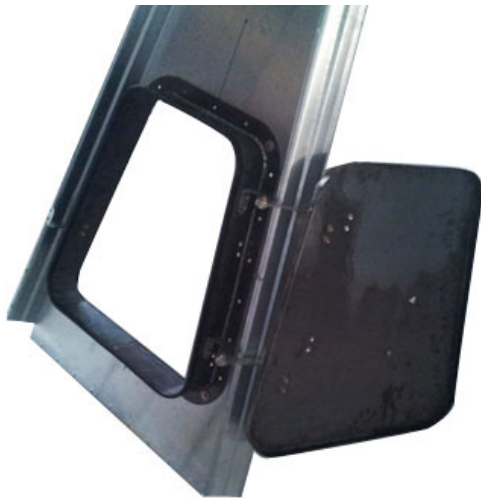


ROOF  
INSPECTION DOOR

ROOF



## TECHNICAL SPECIFICATIONS

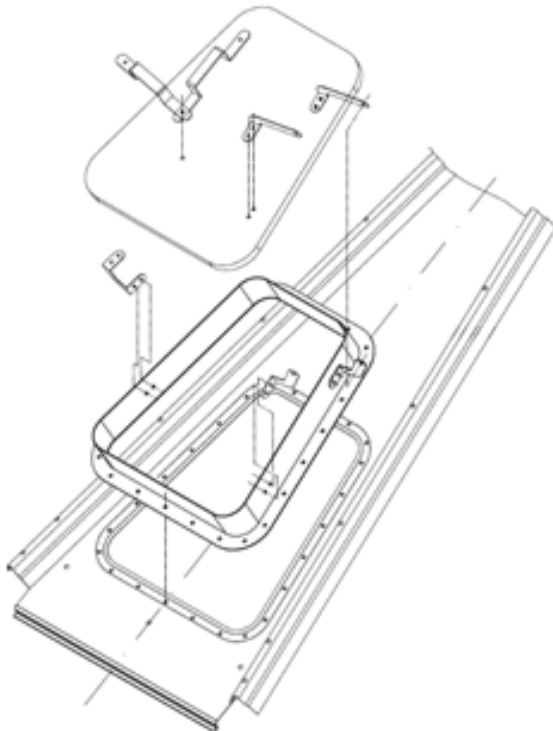
Door to go into the silo. Dimensions 610 x 700mm

To be installed it's necessary to open the hole over a standard roof sector.

It has a block system over the handle.

Usually it's installed with an inside ladder, but the ladder it's not a standard accessory.

It's a standard accessory that doesn't supply to the manhole.



## PARTS AND MATERIALS

- 1 ROOF ACCESS DOOR FLANGE**
  - Access door's frame
  - MATERIAL: Galvanised steel S275 JR e= 3mm
- 2 ROOF ACCESS DOOR COVER**
  - Access door's cover
  - MATERIAL: Galvanised steel S275 JR e= 2mm
- 3 ROOF ACCESS DOOR FLANGE-HINGE**
  - Bent sheet joined to roof access door flange and roof access door cover
  - MATERIAL: Galvanised steel S280 GD Z600 MAC e= 3mm
- 4 ROOF ACCESS DOOR FIXING**
  - Bent sheet to close the door
  - MATERIAL: Galvanised steel S280 GD Z600 MAC e= 3mm
- 5 WEATHER STRIP**
  - To seal the roof access door cover
  - MATERIAL: rubber