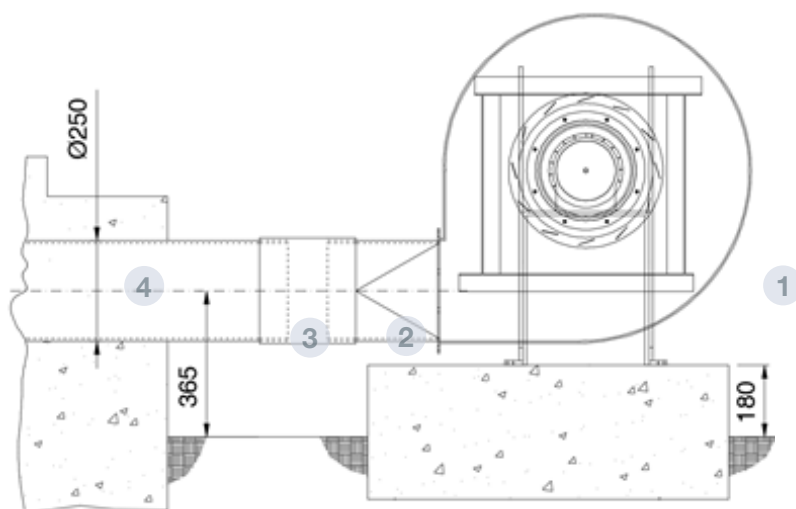


CAS-650-2T-7,5HP

MODELS



FILE 5.44
VERSION 1
COD. 30CAS06502
14/10/2019



DESCRIPTION

Medium pressure centrifugal fan and single aspiration, big strength, equipped with a turbine.
Anticorrosive finishing process with polymeric polyester resins (190 °C).
Previously, degreasing nanotechnologist treatment free of phosphates.

TECHNICAL SPECIFICATIONS		MOTOR DATA SHEET	
Flow rate (m ³ /h)	3128	Nominal Power (kW)	5,5
Speed (rpm)	2942	Max flow (m ³ /h)	4750
Performance	67,7	Hz/phses	50/3
Efficiency grade N	70,8	Motor (rpm)	2930
Measurements category	B	Max. Current (A) 230 V	10,1
Efficiency category	Total	Max. Current. (A) 400 V	5,86
Specific rate	1,04	Motor protection	IP55
Pressure (Pa)	3929	Motor efficiency	IE3
Electric power (kW)	5,046	Limit air temperatures	-20 °C → +120 °C
Speed variator	VSD not necessary	Approx. weight. (kg)	119
		ErP 2015	2015
• Established data in max. Efficiency point.		• Data may change. Please check motor cover	

PARTS

- 1 FAN
- 2 TRANSITION
- 3 FLEXIBLE CONNECTION
- 4 FOUNDATION TUBE (NOT SUPPLIED BY SYMAGA)

