

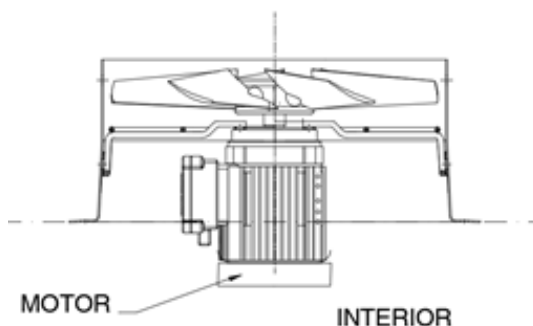
HCDF-40-4T-0.25kW

MODELS



FILE 5.48
VERSION 1
COD.
15/10/2019

EXTERIOR



DESCRIPTION

Helicoidal fan for conduct. Ready to be installed in the roof vents.

Anticorrosive finishing with ATEX painting, free of iron components, in polymeric polyester resin (190°C).

Previously, degreasing with nanotechnology treatment free of phosphates.

MOTOR TECHNICAL DATA	
Nominal power (kW)	0,25
Hz/phases	50/3
Motor (rpm)	1420
Poles	4
Max. current (A) 400 V Y	0,75
Max. current (A) 230 V D	1,3
Motor protection	IP55
Motor chassis size	71
Motor efficiency	Excluido IE3
Certification	ATEX 22
Type	F
Air limit temperatures	-20 °C → +50 °C
Max flow (m ³ /h)	4415
Approx weight. (kg)	12,5
• <i>Technical data may change, please check the</i>	

