

ROOF
VENT

ROOF



FILE 5.5
VERSION 1
COD ASAIRETC-ASAIREF-
ASAIREFC-ASAIRED
12/11/2019

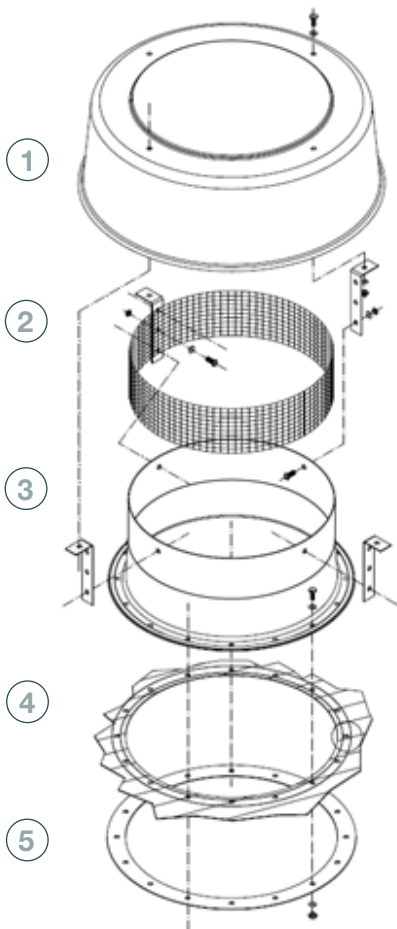


TECHNICAL SPECIFICATIONS

Aeration roof system to make the air flows on the silo's top and stop the rain and snow.

It's designed to maintain a constant flow on all the height with a constant area along its height.

It's installed over special roof sectors, with a hole of $\varnothing 420$ mm.



PARTS AND MATERIALS

- 1 TOP COVER FOR AERATION**
 - External protection join to the body through the clips
 - MATERIAL: Galvanised steel DDP + HDG e= 2mm
- 2 CLIP**
 - Bent sheet to join the top cover and the body
 - MATERIAL: Galvanised steel S280 GD Z600 MAC e= 2mm
- 3 MESH**
 - Galvanised mesh (10x10x0,8) installed over the body
- 4 BODY**
 - Standard roof sector with a hole ($\varnothing 420$ mm)
 - MATERIAL: Galvanised steel S280GD ZM310 MAC e= 0.8mm
- 5 FLANGE**
 - Circular sector to ensure the body
 - MATERIAL: Galvanised steel S280 GD Z600 MAC e= 2mm