

**WALL
SUPPORT
WITH INCREASE
FOR OVERHANG**

BODY

TECHNICAL SPECIFICATIONS

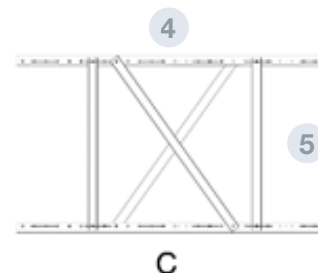
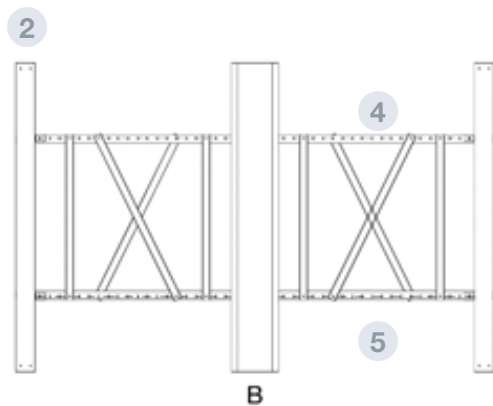
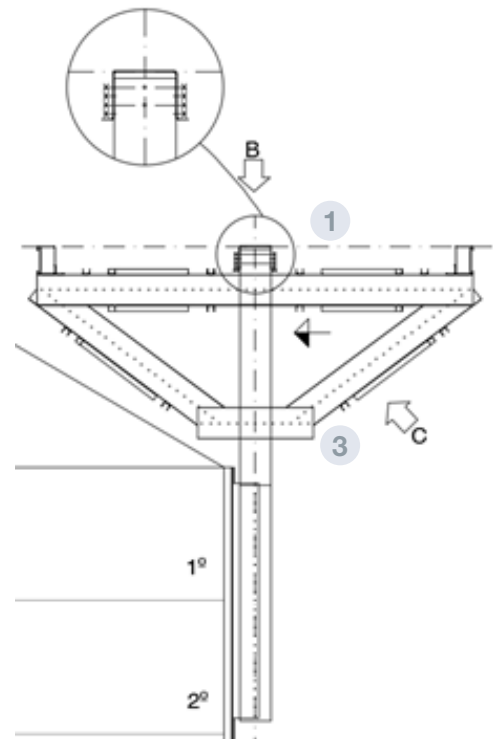
The structure supports the catwalk at the same height as the roof support.

Consists of a standard wall support, adding the overhang structure.

It is used when the standard wall support solution is not enough. 2 lengths available: 3724mm and 4332mm.

The overhang is formed by 2 structural systems, with inverted pyramid shape, braced between each other.

On the overhang, 2 "C" profiles are supported acting as catwalks support.



PARTS AND MATERIALS

- 1 **UPPER "U"**
 - "U" 263 4332mm or 3724mm long, supporting "C" reinforcement.
 - Material: Galvanized steel S280GD Z 600 MAC t= 3mm
- 2 **"C" PROFILE**
 - Cold formed profile where the catwalk is placed.
 - For its height adjustment, the "C" profile can be 223mm, 232mm, 241mm, 250mm, 259mm, 268mm and 277mm.
 - Can be reinforced with a "U" profile with the same material.
 - Material: Galvanized steel S280GD Z 600 MAC t= 3mm
- 3 **LOWER "U" PROFILE**
 - "U" 263x988 cold formed profile connected to the wall support.
 - Material: Galvanized steel S280GD Z 600 MAC t= 3mm
- 4 **DIAGONAL**
 - "U" 263 profile, cold formed profile connecting the upper "U" with the lower "U".
 - Can be 1976mm or 2356mm long, depending on the overhang dimension.
 - Material: Galvanized steel S280GD Z 600 MAC t= 3mm
- 5 **BRACING**
 - "U" 60x50 profile cold formed profile, bracing "U" parts between each other.
 - Variable length: 506, 936, 1120, 1266, 1280, 1362 ó 1422mm
 - Material: Galvanized steel S280GD Z 600 MAC t= 3mm