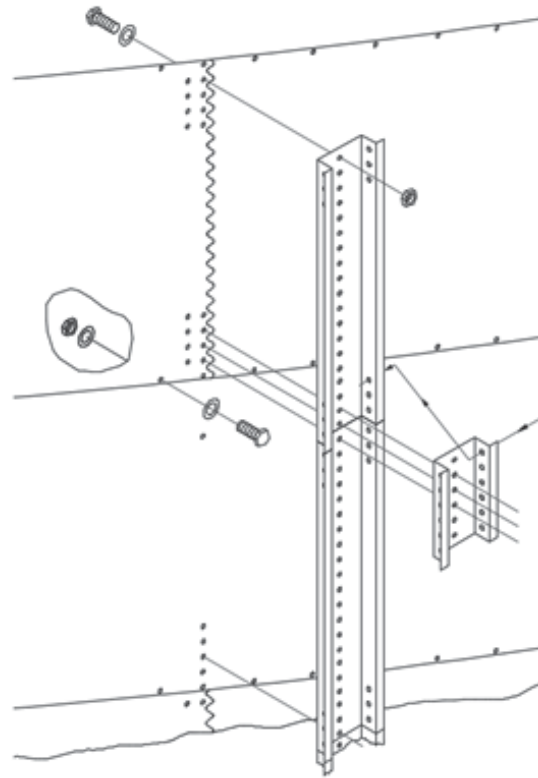


CYLINDER

COMPONENTS



FILE 2.2
VERSIÓN 1
24/10/2019



TECHNICAL SPECIFICATIONS

Composed of bodysheets screwed between them and to the stiffeners type Ω .

Bodysheets are always assembled on anti-clockwise direction

The thickness and the number of stiffeners (2 or 3) depend of the silo's height.

The bodysheets' useful measures are 1140x2400mm.

Includes as standard accessories an screw - on access door.

BOLT INSTALLATION (inside to outside)

• Joints with stiffeners:

Bolt + weatherseal washer - BODYSHEET - STIFFENER - Nut

• Free joints:

Nut + flat washer - BODYSHEET - weatherseal washer + bolt

