

REST  
PLATFORM

ACCESSORIES  
STAIRS



FILE 5.17  
VERSION 1  
COD ASPLAT  
13/11/2019

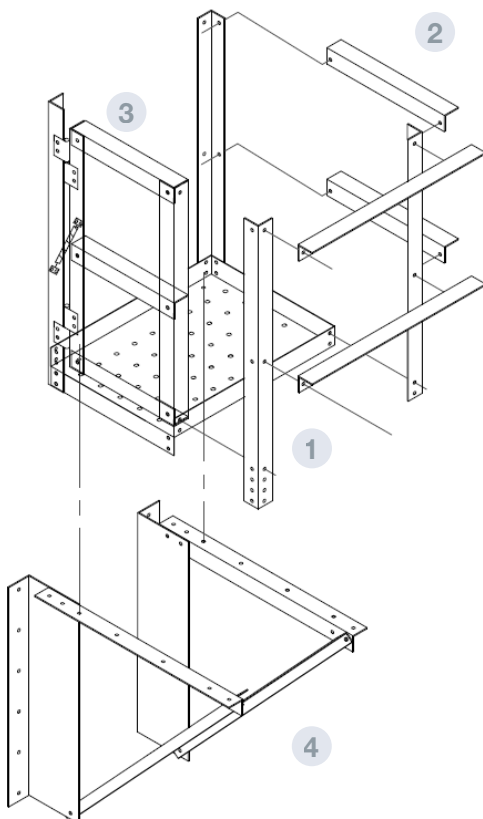


## TECHNICAL SPECIFICATIONS

Rectangular platform to go into the silo through the access door or to rest on the vertical way of the ladder (when the ladder is higher than 10m).

The floor can be a sheet with holes or a Tramex structure.

Includes handrail and a door side on it.



## PARTS AND MATERIALS

- ① FLOOR  
· Dimensions: 1100x800 mm  
· Material: galvanised steel S 280 GD Z 600MAC e= 3 mm
- ② HANDRAIL  
· Material: galvanised steel S 280 GD Z 600MAC e= 3 mm
- ③ DOOR SIDE  
· Material: galvanised steel S 280 GD Z 600MAC e= 3 mm
- ④ SUPPORT  
· Material: galvanised steel S 280 GD Z 600MAC e= 3 mm