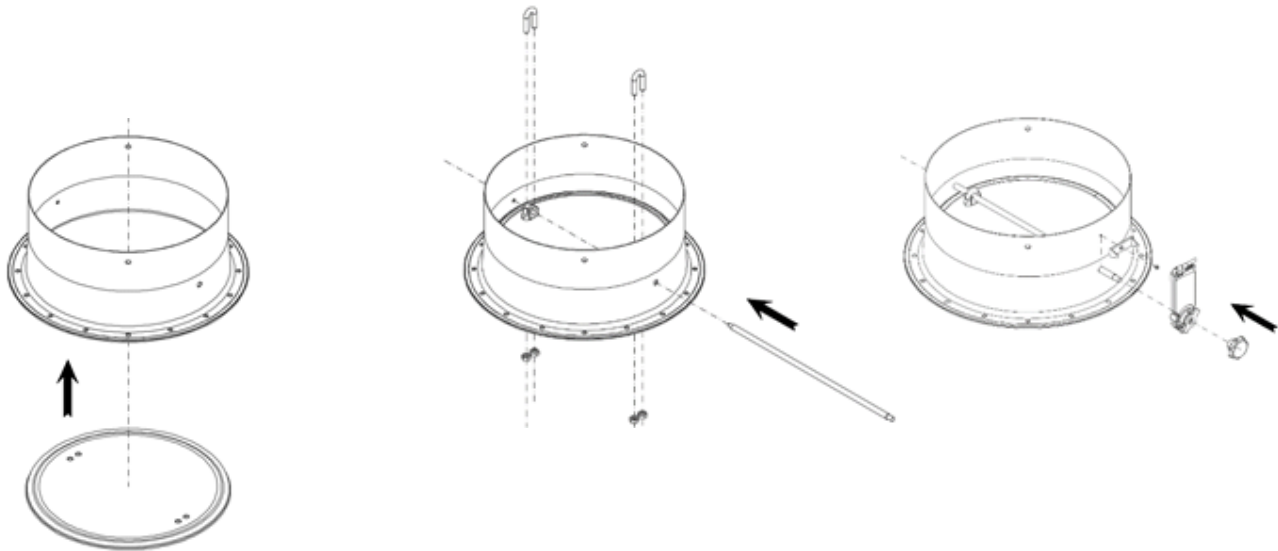


## ROOF VENT FOR FUMIGATION

## ACCESSORIES AERATION SYSTEM



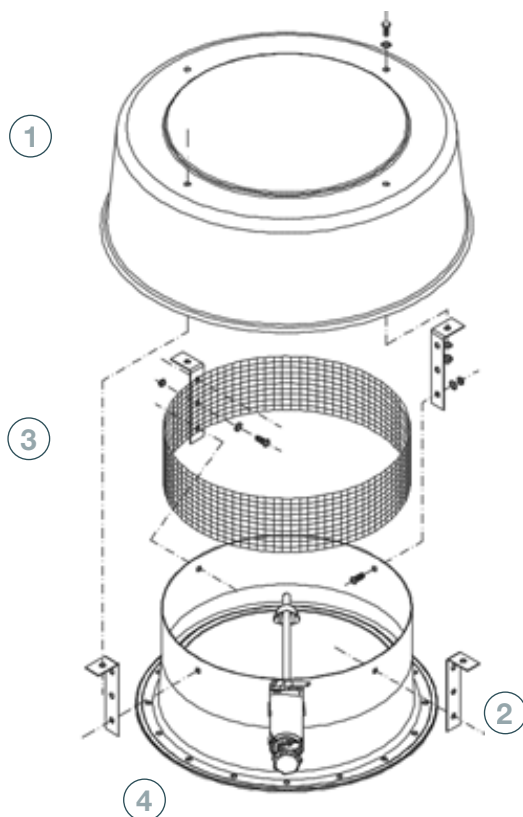
FILE 5.6  
VERSION 1  
COD ASAIRETC-ASAIREF-  
ASAIREFC-ASAIRED  
12/11/2019



## TECHNICAL SPECIFICATIONS

Roof aeration with a motor gate to open and close.

To make fumigation treatments.



## PARTS AND MATERIALS

- 1 **TOP COVER**
  - External protection of the system
  - MATERIAL: galvanised steel S280 GD Z600 MAC e= 1.5mm
- 2 **CLIP**
  - Bent sheet to join the top cover and the body
  - MATERIAL: Galvanised steel S280 GD Z600 MAC e= 2mm
- 3 **MESH**
  - Galvanised mesh (10x10x0,8) installed over the body
- 4 **BODY WITH GATE**
  - Aeration channel installed over the roof sector
  - It has a gate to open and close the system
  - MATERIAL: galvanised steel DDP + HDG e= 2mm
- 5 **ROOF SHEET FOR AERATION**
  - Standard roof sector with a hole (Ø420 mm)
  - MATERIAL: Galvanised steel S280GD ZM310 MAC e= 0.8mm
- 6 **FLANGE**
  - Circular sector to ensure the body
  - MATERIAL: Galvanised steel S280 GD Z600 MAC e= 2mm
- 7 **MOTOR**
  - Circular sector to ensure the body
  - MATERIAL: Galvanised steel S280 GD Z600 MAC e= 2mm
- 8 **CLOSURE SYSTEME**
  - MATERIAL: Galvanised steel S280 GD Z600 MAC