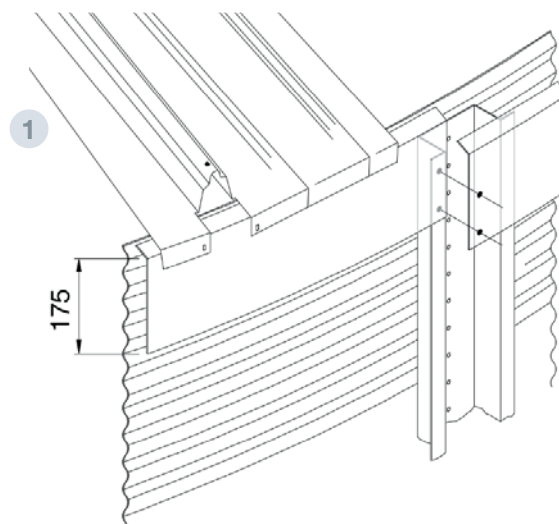


METALLIC
EAVE SKIRT

ROOF
ACCESSORIE



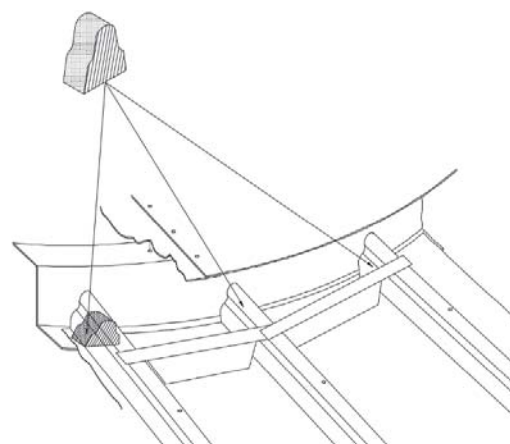
TECHNICAL SPECIFICATIONS

Steel folded sheet located on the eave to avoid the rain or snow flow without a full sealing. The natural aeration is possible with this system.

- Air flows on the union ROOF – CYLINDER.
- Prevents the entry of rain and powder snow.
- The system includes insulator roof waves.

INCOMPATIBILITIES

Not usable for SCE 300 and SCE 350 silos.



PARTS AND MATERIALS

1 SPECIAL EAVE CLOSE

- Folded sheet. Development length 2250 mm. Variable radius
- MATERIAL: Galvanised steel S280 GD Z600 MAC e= 0.8mm

2 INSULATOR ROOF WAVE

- Settled on the beginning and final of the roof waves
- MATERIAL: Cross-linked polyethylene foam

