

## CLOSING ANGLE

## CYLINDER ACCESSORIES

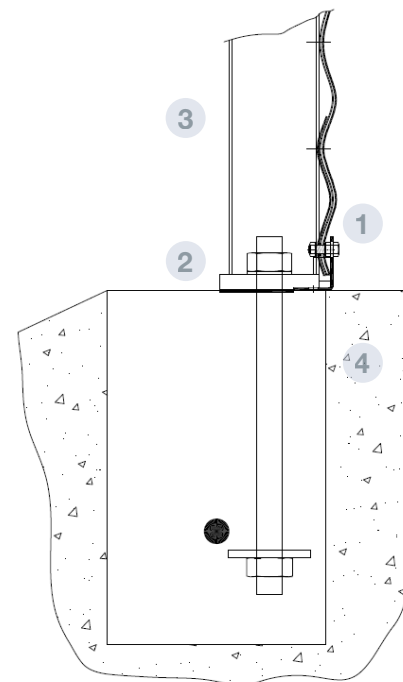


## TECHNICAL SPECIFICATIONS

The main part is a bent profile (A) of cold rolled steel to seal the union cylinder, foundations and anchor plates. It's sent with shims (B) to balance the anchor plates. To join and seal closing angle parts (A) are used the splices (C).

On the union closing angle – anchor plate (D) and closing angle – foundation (E) is stalled FOAM to improve the sealing.

To silos S.B.H. without inside step (inside silos).  
To save on the civil construction.



## PARTS AND MATERIALS

- 1** CLOSING ANGLE
  - 1 per bodysheet/ ring
  - Length 2400 mm
  - MATERIAL: galvanized steel S280 GD Z600 MAC e= 3mm
- 2** SHIM
  - Sheets to balance the anchor plate
  - MATERIAL: galvanized steel S280 GD Z600 MAC
- 3** SPLICE
  - Sheet to join and seal the closing angles union
  - Dimensions: 80x68x3mm
  - MATERIAL: galvanized steel S280 GD Z600 MAC

