

## ROOF LINING

## ACCESSORIES EXTERNAL FINISHES



FILE 5.25

VERSION 2. 15/06/2021

COD. ASFORROT\*\*\*B, ASFORROT\*\*\*V, ASFORROT\*\*\*M, ASFORROT\*\*\*G, ASFORROV\*\*\*/018, ASFORROV\*\*\*/01V, ASFORROV\*\*\*/01G, ASFORROC\*\*\*/T45B, ASFORROC\*\*\*/T66B, ASFORROC\*\*\*/T45V, ASFORROC\*\*\*/T66V, ASFORROC\*\*\*/T60V,



## TECHNICAL SPECIFICATIONS

Double sheet roof,

Doble pared de chapa, normalmente prelacada, que crea una cámara de aire de 75 mm entre sectores de techo y forro.

It's a protection of the high solar radiation to the grain close to the roof.

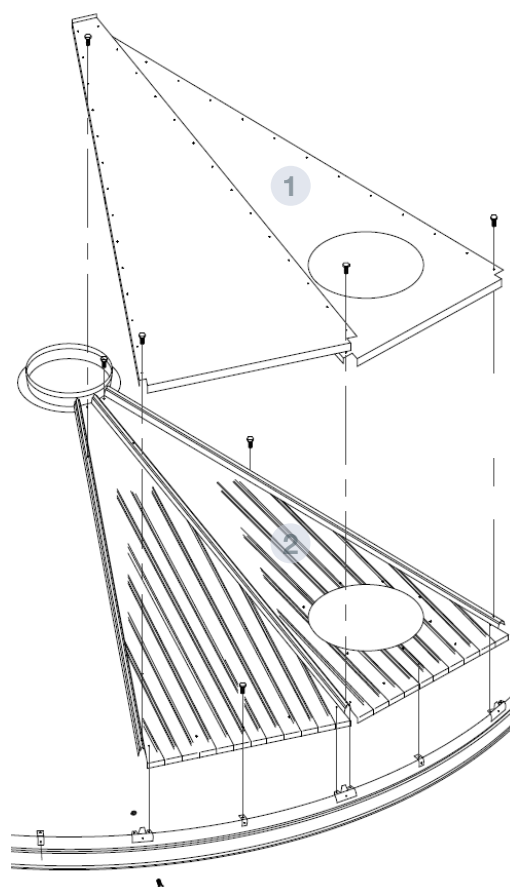
To improve the characteristics the space between roof sector and roof cover can be filled with insulating materials, like rock wool.

## RECOMMENDATIONS

Install on places with high solar radiation.

Avoid yellowing the rice.

**INCOMPATIBILITIES** Incompatible on silo roofs with 3-3.5m diameter



## PARTS AND MATERIALS

- 1 ROOF COVER**
  - Flat sheet with isosceles triangular shape, like a roof sector, screwed over the roof waves
  - Variable dimensions according to the silo's diameter
  - Colours white, green or blue
  - MATERIAL: steel S280GD Z225 GS 25/7  $\mu\text{m}$  de polyester  $e=0.8$  mm
- 2 ROOF SHEET**
  - Trapezoidal folded plate with waves on the edges to be assembled between them
  - Material: steel S280 GD ZM310  $e= 0.8$ mm
- 3 ROOF WAVE**
  - Folded sheet to assemble the roof sectors between them

