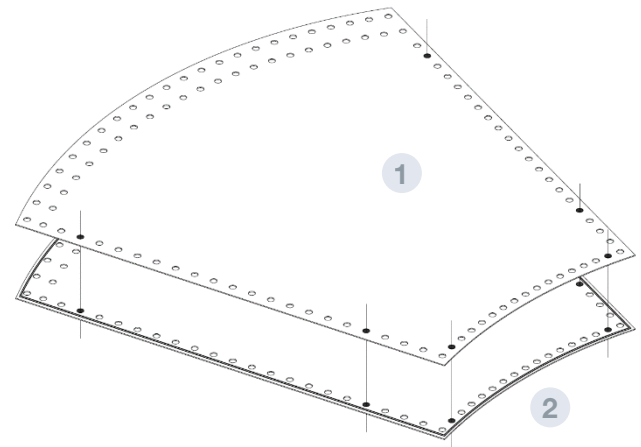


HOPPER LINING

ACCESSORIES EXTERNAL FINISHES



TECHNICAL SPECIFICATIONS

Steel sheet located on the hopper sheets due to aesthetic qualities.

Does not create air chamber.

INSTALLATION:

1. Bolted joint hopper sector – hopper cover in several points.

2. Standard installation on the hopper.

PARTS AND MATERIALS

- 1** HOPPER COVER
- Steel sheet with trapezoidal shape, similar to a hopper sheet.
 - Colors White, Green or blue.
 - MATERIAL: DX51 Z225 GS 25/7

- 2** HOPPER SHEET

- 3** CYLINDER COVER

- 4** BODYSHEET

