

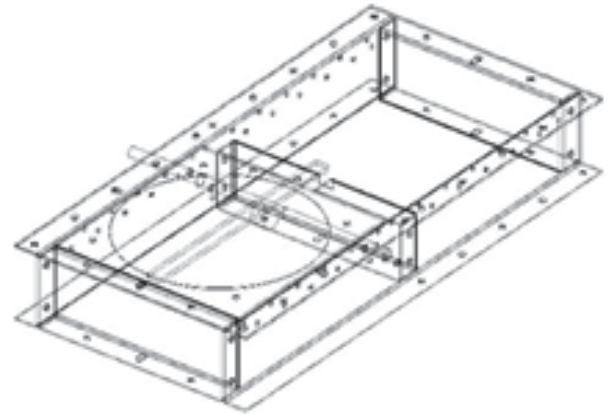
SLIDE GATE
FOR HOPPER
SILOS OUTLET

HOPPER



FICHA 5.50
VERSIÓN 2. 14/06/2021

COD. RCARGA***



TECHNICAL CHARACTERISTICS

Gates that are located at the outlet of the hopper silos.

USES Open and close and to regulate the amount of material that comes out.

MATERIALS

- Steel galvanized S280 GD Z600 MAC e= 3mm

TYPES

DEPENDING ON THE SIZE:

- 1 400x400
· Slide gate for silos
- 2 250x250
· Side discharge gate

DEPENDING ON ITS ACTIVATION:

- 1 Manual
· Slide gate manually activated.
- 2 Electric
· An electric motor activates the gate, with 2 detectors
- 3 Pneumatic
· For opening and closing, pneumatic piston is used.
- 4 Double
· Consists of a manual slide gate and an electric slide gate in the same ensemble.