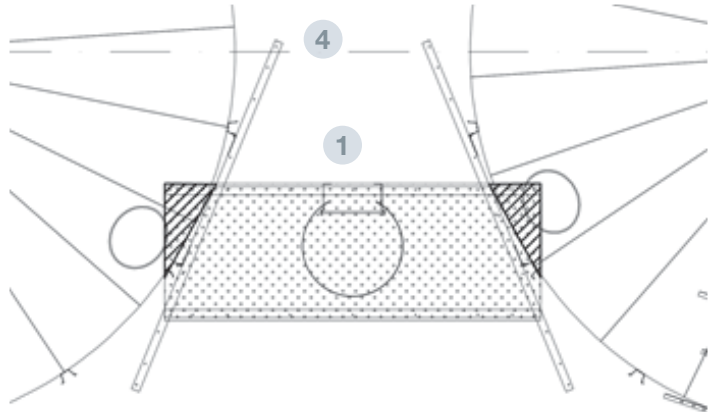


## PLATFORM BETWEEN SILOS

## ACCESSORIES SUPPLEMENTARY STRUCTURES



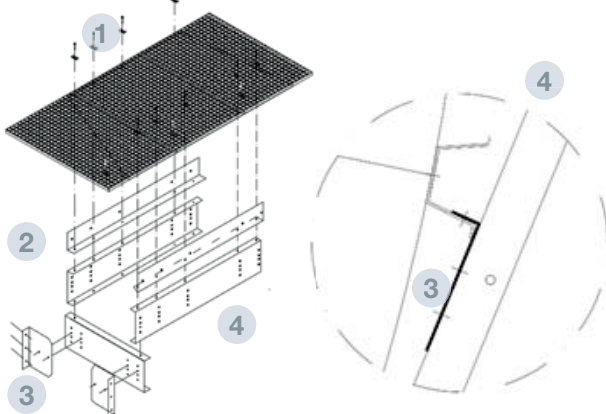
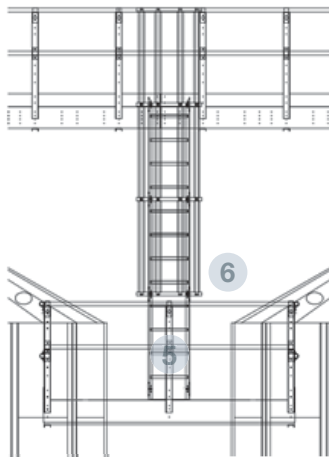
FILE 6.12  
VERSION 2. 11/08/2021  
COD. ASPLATENTRE\*



## TECHNICAL SPECIFICATIONS

Platform supported on 4 stringers, fixed to the silo reinforcements in the penultimate ring.

Can be standard floor or grid floor, handrail is included allowing access to the inspection doors of both silos.



## PARTS AND MATERIALS

- FLOOR**
  - Standard or grid floor to be placed on the stringers.
  - Material standard floor: Galvanized steel S280 GD Z600 MAC t= 3mm
  - Material grid: Trammex 30x30-25x2 Galvanized
- FOOT PROTECTION**
  - Folded sheet for the floor-stringer connection.
  - Material: Acero galvanizado S280 GD Z600 MAC t= 3mm
- LEG CLIP**
  - Folded sheet for the rainforce connection.
  - Material: Galvanized steel S280 GD Z600 MAC t= 3mm
- STRINGER**
  - "U" 263x3000 profile, folded sheet, representing the main structure of the platform.
  - Material: Galvanized steel S280 GD Z600 MAC t= 3mm
- HANDRAIL BRACKET**
  - "U" 263x3000 profile, folded sheet, representing the main structure of the platform.
  - Material: Galvanized steel S280 GD Z600 MAC t= 3mm
- HANDRAIL TUBE**
  - TUBE Ø48x3000x1,5mm
  - Material: Galvanized steel
- CLIPS**
  - Handrail tube- handrail bracket connection clips.
  - Material: Galvanized steel S280 GD Z600 MAC t= 3mm
- STOPPER**
  - Used to closet he handrail tbe at the end.
  - Material: Polypropylene