

Catwalk. Close. Lattice.
Accessories. Supplementary structures

STANDARD CATWALK

SUPPORTS AND COLUMNS



FILE 6.7

VERSION 3. 21/06/2021

COD. ASPAS***S00, ASPAS***R00, ASPAS***SCR, ASPAS***RCR, ASPAS***SX0, ASPAS***RX0, ASPAS***S02, ASPAS***R02, ASPOR001, ASPOR002, ASPOR003, ASPISPASES, ASPISPASTRA



TECHNICAL SPECIFICATIONS

Beam-formed catwalk consisting of 4/5 cold formed “U” stringers S280 GD Z600

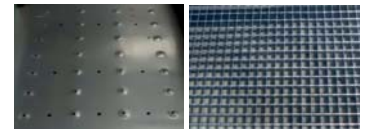
On the stringers, we place the floor and the handrail.

Modular system, screw-on, flexible while defining lengths and widths.

In the catwalk, there are a walkway (700 mm width) and the redler side (variable).

Can be open or closed.

The floor can be a grid floor or a simple drilled sheet.



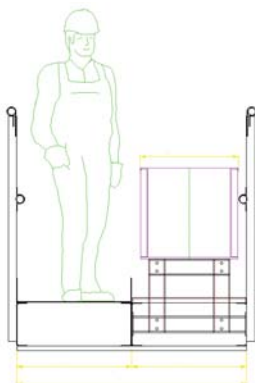
Standard

Tramex

TYPES:

Depending on the redler width, catwalks can be:

- 700 : (only walkway)
- 1400 : 700 + 700
- 2100 : 700 + 700 + 700
- 1600 : 700 + 900
- 2300 : 700 + 900 + 700
- 1800 : 700 + 1100



WIDTH	STANDARD FLOOR	GRID FLOOR	STANDARD FLOOR (REINFORCED)	GRID FLOOR (REINFORCED)
<p>REDLER: -</p> <p>WALKWAY: 700 mm</p> <p>TOTAL: 700 mm</p>				
<p>REDLER: 700 mm</p> <p>WALKWAY: 700 mm</p> <p>TOTAL: 1400 mm</p>				
<p>REDLER: 900 mm</p> <p>WALKWAY: 700 mm</p> <p>TOTAL: 1600 mm</p>				
<p>REDLER: 1100 mm</p> <p>WALKWAY: 700 mm</p> <p>TOTAL: 1800 mm</p>				

STANDARD CATWALK

SUPPORTS AND COLUMNS



FILE 6.7

VERSION 3. 21/06/2021

COD. ASPAS*S00, ASPAS***R00, ASPAS***SCR, ASPAS***RCR, ASPAS***SX0, ASPAS***RX0, ASPAS***S02, ASPAS***R02, ASPOR001, ASPOR002, ASPOR003, ASPISPASES, ASPISPASTRA**

With corridor:

WIDTH	STANDARD FLOOR	GRID FLOOR	STANDARD FLOOR (REINFORCED)	GRID FLOOR (REINFORCED)
REDLER: 700 (+ 700) mm WALKWAY: 700 (+ 700) mm TOTAL: 2100 mm				
REDLER: 900 mm WALKWAY: 700 + 700 mm TOTAL: 2300 mm				
REDLER: 1100 mm WALKWAY: 700 + 700 mm TOTAL: 2500 mm				
REDLER: 700 + 700 mm WALKWAY: 700 + 700 mm TOTAL: 2800 mm				
REDLER: 1100 + 1100 mm WALKWAY: 700 mm TOTAL: 2900 mm	??	??		

PARTS AND MATERIALS

- SPACES AND JOINTS**
 - Profiled sheet of different lengths: 3000, 2000 and 1000mm.
 - Material: Galvanized steel S280GD Z600 MAC e = 3mmMAC
- RAILING TUBES**
 - 3000mm tubular handrail.
 - Material: Tube D45 S280GD Z600 MAC e = 1.0mm
- RAILING POSTS**
 - Profiled sheet of different lengths (total): 1370, 1905 and 2441mm.
 - Material: Galvanized steel S280GD Z600 MAC e = 3mm
- FLOOR**

Standard option

 - Punched sheet with non-slip embossments of lengths: 3000, 2000 and 1000mm and widths 700, 900 and 1100mm.
 - Material: Galvanized steel S280GD Z600 MAC e = 3mm

Tramex option

 - 30x30 non-slip grating with 25x2 galvanized plates of 1000mm length and 700, 900 and 1100mm widths.

CLOSE CATWALK

ACCESSORIES SUPPLEMENTARY STRUCTURES



PARTS AND MATERIALS

- 1** LATERAL WAVY WALL
 - Rectangular sheet, with dimensions 690x1140mm, connected to other walls forming the wall.
 - Its width is 1,2mm and the waves 76 x 14mm.
 - MATERIAL: Galvanized steel S350GD Z600 MAC
- 2** LATERAL WAVY WALL PILLAR
 - “U” 60x50x3 cold formed profile located in the wavy walls joint.
 - MATERIAL: Galvanized steel S280GD Z600 MAC
- 3** COVER
 - Rectangular sheet with width 1140mm connected to the wavy walls.
 - MATERIAL: Galvanized steel S350GD Z600 MAC t=1,2mm
- 4** CLOSE SHEET
 - Folded sheet, “C” shape for the catwalk close at the beginning and end.
 - MATERIAL: Galvanized steel S280GD Z600 MAC t=3mm

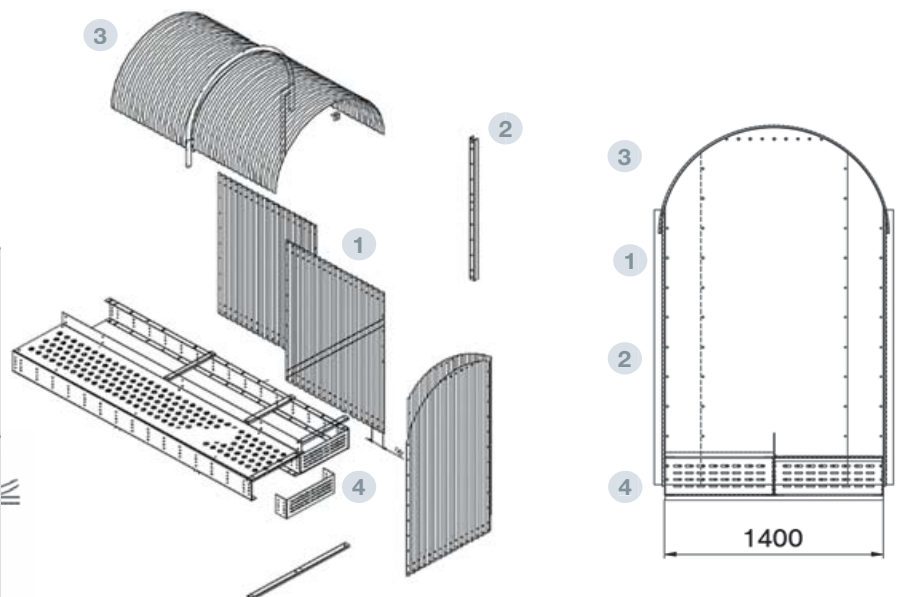
TECHNICAL SPECIFICATIONS

It is a standard catwalk covered by bodysheets.

Available widths: 1400, 1800 or 2100mm.

TYPES

<p>REDLER: 700 mm WALKWAY: 700 mm TOTAL: 1400 mm</p>	
<p>REDLER: 1100 mm WALKWAY: 700 mm TOTAL: 1800 mm</p>	
<p>REDLER: 700 mm WALKWAY: 700 + 700 mm TOTAL: 2100 mm</p>	
<p>REDLER: 900 mm WALKWAY: 700 + 700 mm TOTAL: 2300 mm</p>	



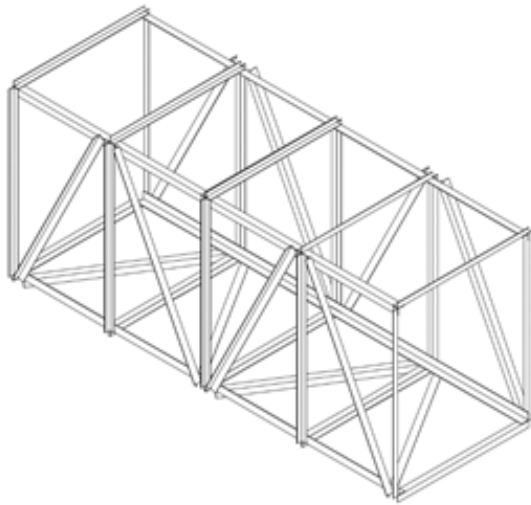
LATTICE CATWALK

ACCESSORIES SUPPLEMENTARY STRUCTURES



FILE 6.9
VERSION 2. 11/08/2021

COD. ASPASCEL170



TECHNICAL SPECIFICATIONS

Catwalk with a main structure consisting of "L" hot rolled profiles, S275JR galvanized.

Designed for withstanding big loads and big spans:

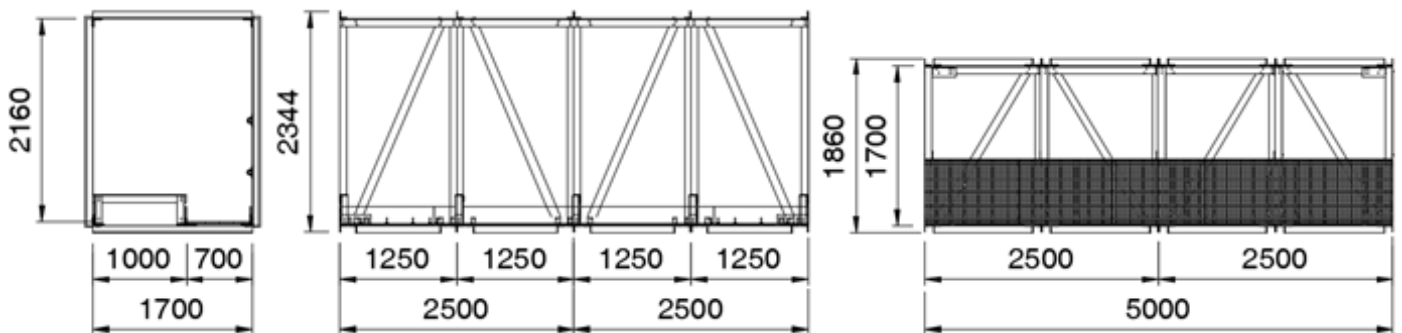
- Max load: 600 Kg/m
- Max span: 20 m

We can determine 2 areas, walkway and the redler side.

Total width is 1700 mm

700 mm (walkway) +1000 mm (redler side)

Formed by screw-on modules every 5m with end sections of (4,4 m, 3,16 m, 1,91 m y 0,66 m) to make other configurations easier.





Offices and Factory:

Ctra. de Arenas km. 2.300
13210 Villarta de San Juan • Ciudad Real - Spain
T: +34 926 640 475 • F: +34 926 640 294

Madrid Office:

C/Azcona, 37 • 28028 Madrid - Spain
T: +34 91 726 43 04 • F: +34 91 361 15 94

symaga@symaga.com
www.symaga.com