

Roof vent. Roof vent for fumigation
Accessories. Aeration System

ROOF
VENT

ACCESSORIES
AERATION
SYSTEM



FILE 5.5
VERSION 2. 17/06/2021

COD. COD ASAIRETC, ASAIREF,
ASAIREFC, ASAIRED



TECHNICAL SPECIFICATIONS

Aeration roof system to make the air flows on the silo's top and stop the rain and snow.

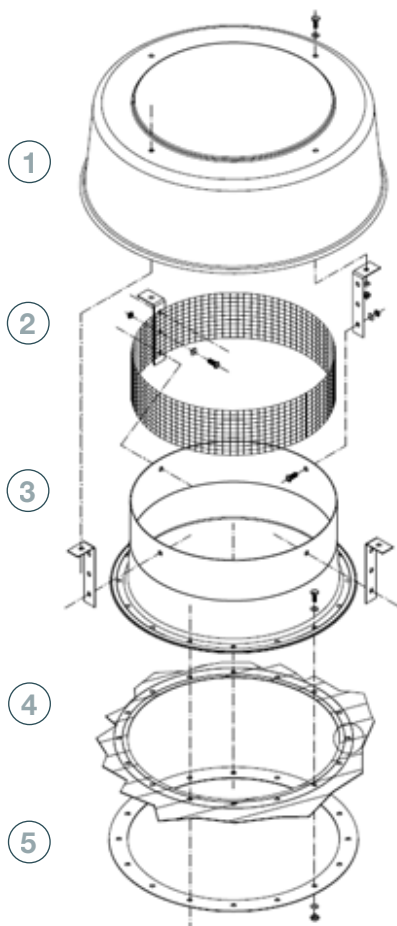
It's designed to maintain a constant flow on all the height with a constant area along its height.

It's installed over special roof sectors, with a hole of $\varnothing 420$ mm. Its height is variable, it has several positions.

USE

It allows to avoid condensation, evacuating the stale air from the silo.

All silos must include a chimney to avoid the vacuum effect during emptying.

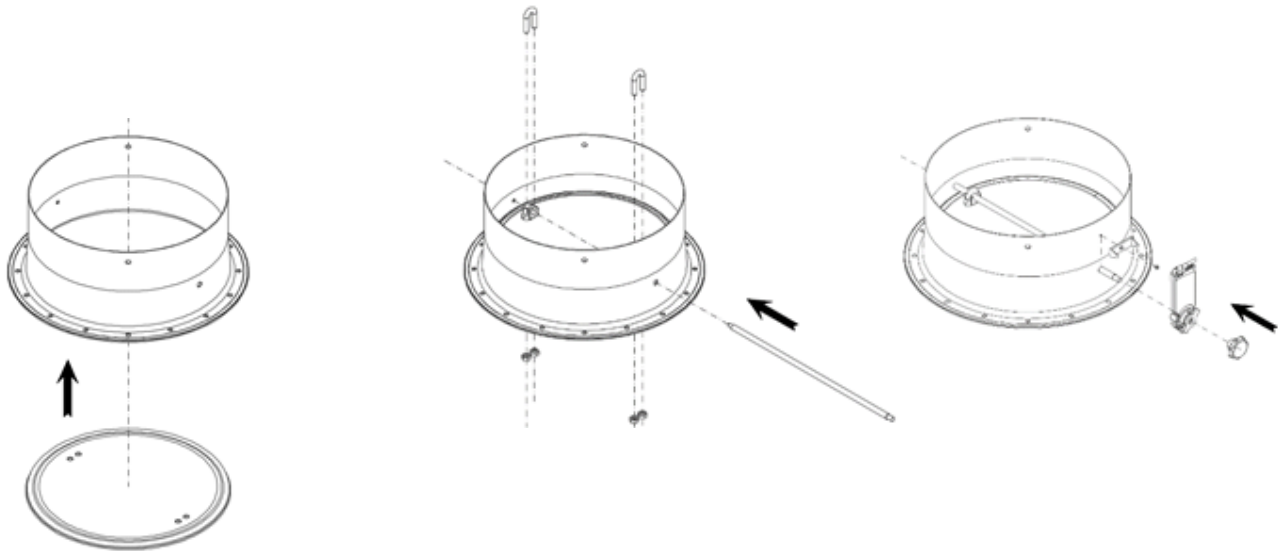


PARTS AND MATERIALS

- 1 TOP COVER FOR AERATION
 - External protection join to the body through the clips
 - MATERIAL: Galvanised steel DDP + HDG e= 2mm
- 2 CLIP
 - Bent sheet to join the top cover and the body
 - MATERIAL: Galvanised steel S280 GD Z600 MAC e= 2mm
- 3 MESH
 - Galvanised mesh (10x10x0,8) installed over the body
- 4 BODY
 - Standard roof sector with a hole ($\varnothing 420$ mm)
 - MATERIAL: Galvanised steel S280GD ZM310 MAC e= 0.8mm
- 5 FLANGE
 - Circular sector to ensure the body
 - MATERIAL: Galvanised steel S280 GD Z600 MAC e= 2mm

ROOF VENT FOR FUMIGATION

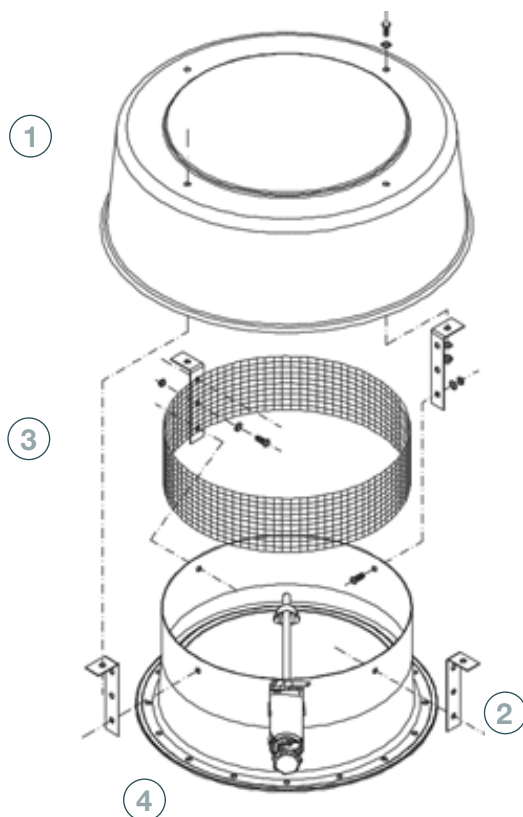
ACCESSORIES AERATION SYSTEM



TECHNICAL SPECIFICATIONS

Roof aeration with a motor gate to open and close.

To make fumigation treatments.



PARTS AND MATERIALS

- 1 **TOP COVER**
 - External protection of the system
 - MATERIAL: galvanised steel S280 GD Z600 MAC e= 1.5mm
- 2 **CLIP**
 - Bent sheet to join the top cover and the body
 - MATERIAL: Galvanised steel S280 GD Z600 MAC e= 2mm
- 3 **MESH**
 - Galvanised mesh (10x10x0,8) installed over the body
- 4 **BODY WITH GATE**
 - Aeration channel installed over the roof sector
 - It has a gate to open and close the system
 - MATERIAL: galvanised steel DDP + HDG e= 2mm
- 5 **ROOF SHEET FOR AERATION**
 - Standard roof sector with a hole (Ø420 mm)
 - MATERIAL: Galvanised steel S280GD ZM310 MAC e= 0.8mm
- 6 **FLANGE**
 - Circular sector to ensure the body
 - MATERIAL: Galvanised steel S280 GD Z600 MAC e= 2mm
- 7 **MOTOR**
 - Circular sector to ensure the body
 - MATERIAL: Galvanised steel S280 GD Z600 MAC e= 2mm
- 8 **CLOSURE SYSTEME**
 - MATERIAL: Galvanised steel S280 GD Z600 MAC



Offices and Factory:

Ctra. de Arenas km. 2.300
13210 Villarta de San Juan • Ciudad Real - Spain
T: +34 926 640 475 • F: +34 926 640 294

Madrid Office:

C/Azcona, 37 • 28028 Madrid - Spain
T: +34 91 726 43 04 • F: +34 91 361 15 94

symaga@symaga.com
www.symaga.com