

High pressure centrifugal fan. CAS.  
Extractor fan  
Accessories. Aeration Systems

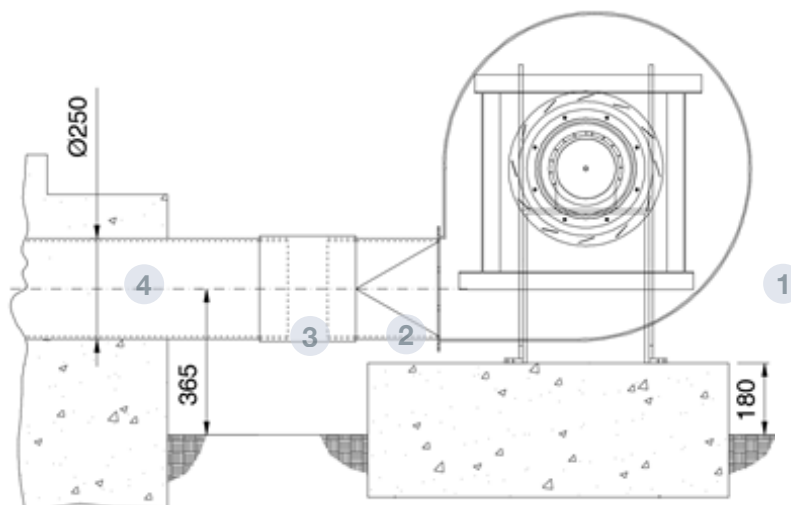
CAS-650-2T-7,5HP

MODELS



FILE 5.44  
VERSION 3. 19/10/2021

COD. 30CAS06502



## DESCRIPTION

High pressure centrifugal fan and single aspiration, big strength, equipped with a turbine.

Anticorrosive finishing process with polymeric polyester resins (190 °C).

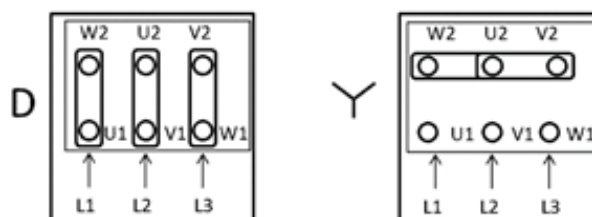
Previously, degreasing nanotechnologist treatment free of phosphates.

Placed at the base of the silo, outside, either connected to the aeration channels, a ventilated cone or a total aeration floor. When the aeration is for a hopper silo, the fan is directly screwed to a hopper sector prepared for it.

TECHNICAL SPECIFICATIONS		MOTOR DATA SHEET	
Flow rate (m <sup>3</sup> /h)	3128	Nominal Power (kW)	5,5
Speed (rpm)	2942	Max flow (m <sup>3</sup> /h)	4750
Performance	67,7	Hz/phses	50/3
Efficiency grade N	70,8	Motor (rpm)	2930
Measurements category	B	Max. Current (A) 230 V	10,1
Efficiency category	Total	Max. Current. (A) 400 V	5,86
Specific rate	1,04	Motor protection	IP55
Pressure (Pa)	3929	Motor efficiency	IE3
Electric power (kW)	5,046	Limit air temperatures	-20 °C → +120 °C
Speed variator	VSD not necessary	Approx. weight. (kg)	119
		ErP 2015	2015
• Established data in max. Efficiency point.		• Data may change. Please check motor cover	

## PARTS

- 1 FAN
- 2 TRANSITION
- 3 FLEXIBLE CONNECTION
- 4 FOUNDATION TUBE (NOT SUPPLIED BY SYMAGA)



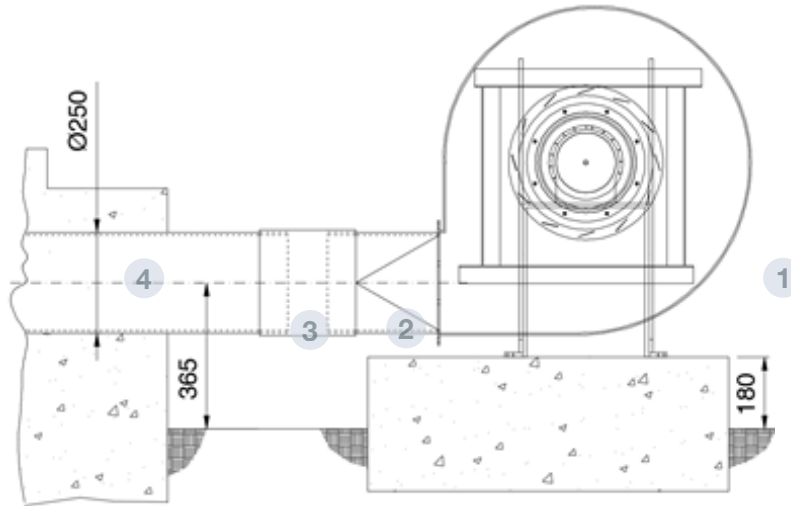
CAS-1250-2T-15HP

ACCESSORIES  
AERATION  
SYSTEM



FILE 5.45  
VERSION 3. 19/10/2021

COD. 30CAS12502



## DESCRIPTION

High pressure centrifugal fan and single aspiration, big strength, equipped with a turbine.

Anticorrosive finishing process with polymeric polyester resins (190 °C).

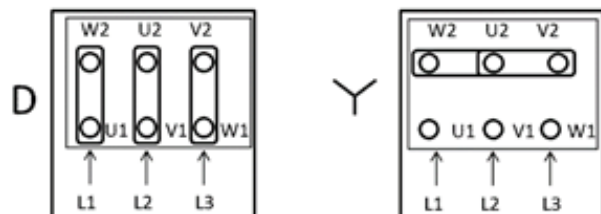
Previously, degreasing nanotechnologist treatment free of phosphates.

Placed at the base of the silo, outside, either connected to the aeration channels, a ventilated cone or a full perforated floor. When the aeration is for a hopper silo, the fan is directly screwed to a hopper sector prepared for it.

TECHNICAL SPECIFICATIONS		MOTOR DATA SHEET	
Flow rate (m <sup>3</sup> /h)	9274	Nominal Power (kW)	11
Speed (rpm)	2951	Max flow (m <sup>3</sup> /h)	12000
Performance	69	Hz/phses	50/3
Efficiency grade N	69	Motor (rpm)	2945
Measurements category	B	Max. Current (A) 230 V	20
Efficiency category	Total	Max. Current. (A) 400 V	11,6
Specific rate	1,03	Motor protection	IP55
Pressure (Pa)	2903	Motor efficiency	IE3
Electric power (kW)	10,838	Limit air temperatures	-20 °C → +120 °C
Speed variator	VSD not necessary	Approx. weight. (kg)	252
		Cumplimiento ErP 2015	ErP 2015
• Established data in max. Efficiency point.		• Data may change. Please check motor cover	

## PARTS

- 1 FAN
- 2 TRANSITION
- 3 FLEXIBLE CONNECTION
- 4 FOUNDATION TUBE (NOT SUPPLIED BY SYMAGA)



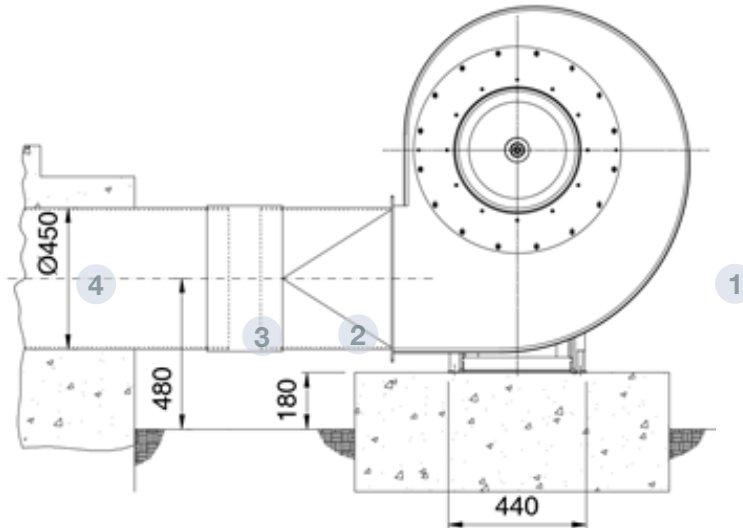
CAS-1456-2T-25HP

ACCESSORIES  
AERATION  
SYSTEM



FILE 5.46  
VERSION 3. 19/10/2021

COD. 30CMR10312



## DESCRIPTION

High pressure centrifugal fan and single aspiration, big strength, equipped with a turbine.

Anticorrosive finishing process with polymeric polyester resins (190 °C).

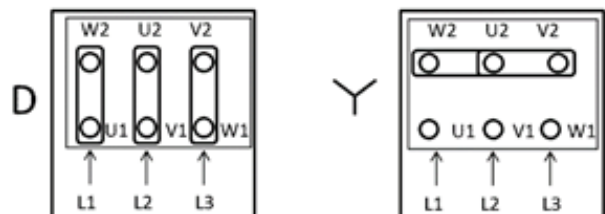
Previously, degreasing nanotechnologist treatment free of phosphates.

Placed at the base of the silo, outside, either connected to the aeration channels, a ventilated cone or a full perforated floor. When the aeration is for a hopper silo, the fan is directly screwed to a hopper sector prepared for it.

TECHNICAL SPECIFICATIONS		MOTOR DATA SHEET	
Flow rate (m <sup>3</sup> /h)	13007	Nominal Power (kW)	18,5
Speed (rpm)	2949	Max flow (m <sup>3</sup> /h)	18000
Performance	72	Hz/phses	50/3
Efficiency grade N	71,3	Motor (rpm)	2945
Measurements category	B	Max. Current (A) 230 V	33,9
Efficiency category	Total	Max. Current. (A) 400 V	19,7
Specific rate	1,04	Motor protection	IP55
Pressure (Pa)	3707	Motor efficiency	IE3
Electric power (kW)	18,621	Limit air temperatures	-20 °C → +120 °C
Speed variator	VSD not necessary	Approx. weight. (kg)	303
		Cumplimiento ErP 2015	ErP 2015
• Established data in max. Efficiency point.		• Data may change. Please check motor cover	

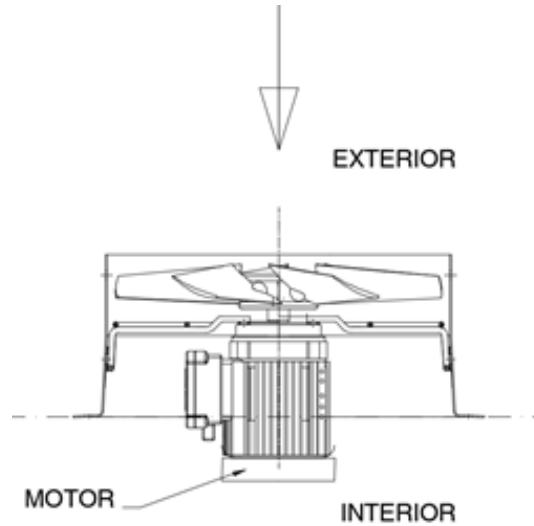
## PARTS

- 1 FAN
- 2 TRANSITION
- 3 FLEXIBLE CONECCION
- 4 FOUNDATION TUBE (NOT SUPPLIED BY SYMAGA)



HCDF-40-4T-0.25kW

ACCESSORIES  
AERATION  
SYSTEM



## DESCRIPTION

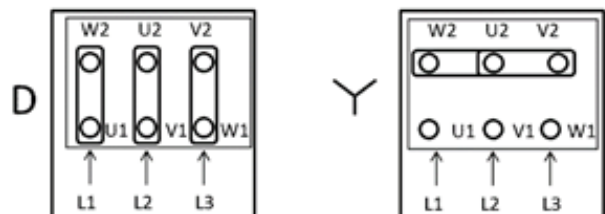
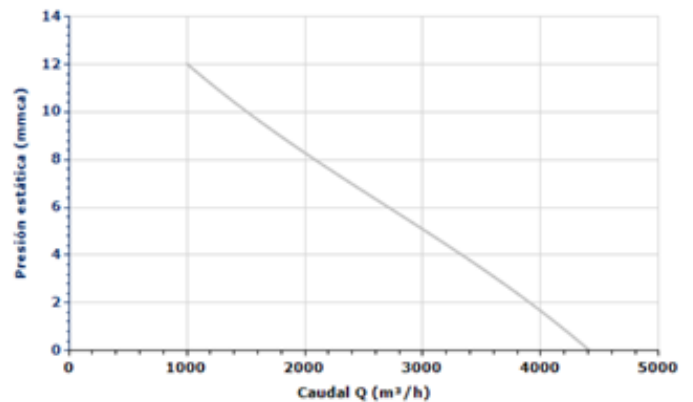
Helicoidal fan for conduct. Ready to be installed in the roof vents.

Anticorrosive finishing with ATEX painting, free of iron components, in polymeric polyester resin (190°C).

Previously, degreasing with nanotechnology treatment free of phosphates.

**USE.** Avoid condensation due to temperature difference

MOTOR TECHNICAL DATA	
Nominal power (kW)	0,25
Hz/phases	50/3
Motor (rpm)	1420
Poles	4
Max. current (A) 400 V Y	0,75
Max. current (A) 230 V D	1,3
Motor protection	IP55
Motor chassis size	71
Motor efficiency	Excluido IE3
Certification	ATEX 22
Type	F
Air limit temperatures	-20 °C → +50 °C
Max flow (m <sup>3</sup> /h)	4415
Approx weight. (kg)	12,5
• <i>Technical data may change, please check the</i>	





**Offices and Factory:**

Ctra. de Arenas km. 2.300  
13210 Villarta de San Juan • Ciudad Real - Spain  
T: +34 926 640 475 • F: +34 926 640 294

**Madrid Office:**

C/Azcona, 37 • 28028 Madrid - Spain  
T: +34 91 726 43 04 • F: +34 91 361 15 94

[symaga@symaga.com](mailto:symaga@symaga.com)  
[www.symaga.com](http://www.symaga.com)